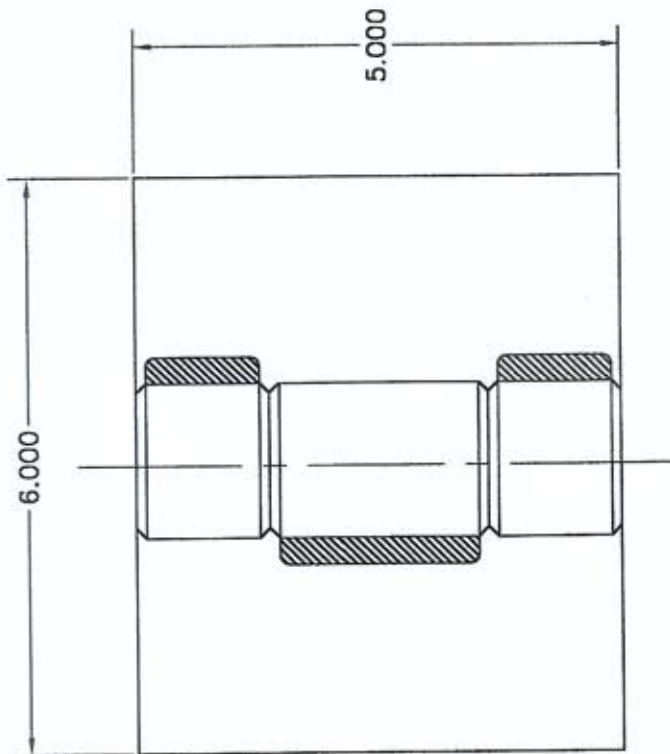
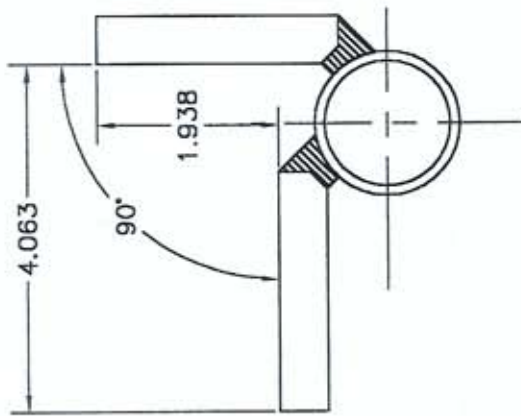
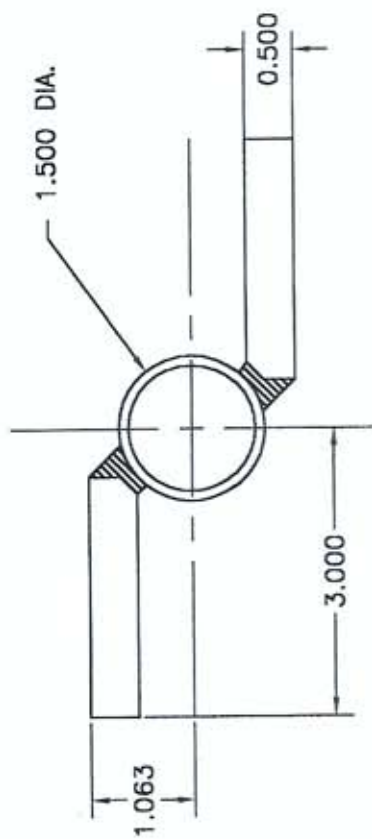


NOTE:

1. DIMENSIONS ARE NOMINAL AND ARE IN INCHES.
2. DOOR & FRAME MANUFACTURERS ARE RESPONSIBLE FOR PROVIDING ADEQUATE CONSTRUCTION AND REINFORCEMENT OF HARDWARE SHOWN.
3. DIMENSIONS ARE SUBJECT TO CHANGE WITHOUT NOTICE.
USE ONLY CURRENT, APPROVED TEMPLATING.



www.SecuringCosmos.com
Template 45-125-02-HDH
Half Surface Hinge, Weld-On